



Features

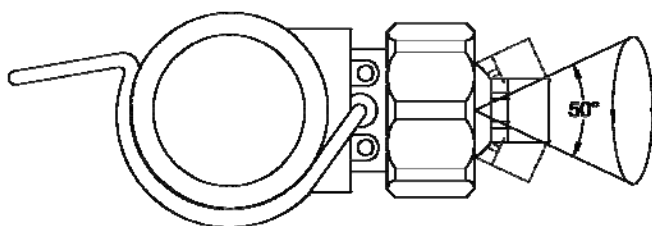
CMP Nozzles are simply clip over a pre-drilled pipes and are available with two type of connection (Clamped and Threaded).

Adjustable ball CMP nozzle tip are available with a variety of spray balls in various spray patterns, flow rates and spray angles

Application

Pre-treatment for painting : Cars, Automotive part, Home electric appliances.

Cleaning : water rinsing after acid treatment of metal sheet, water rinsing process in food factory.



Materials

Parts	Materials
Spray Tip	PP
Cap and Base	PP
Spring Clamp	S304
Gasket	NBR

Specification



Type	Clamp Size (inch)	Clamp Out Dia. (mm)	Drilled Pipe Dia. (mm)
CMP	1	32-35	14
	1 - 1/4	38-43	16
	1 - 1/2	44-51	16
	2	54-60	20

Flat Spray Ball Tip



Spray Tip Code (spray angle at 3 bar)					Spray Capacity (L/min)						
25°	40°	50°	65°	80°	0.3 Bar	0.7 Bar	1 Bar	1.5 Bar	2 Bar	3 Bar	4 Bar
			FT6510	FT8010	1.2	1.9	2.3	2.8	3.2	3.9	4.6
	FT4020	FT5020	FT6520		2.5	3.8	4.6	5.6	6.5	7.9	9.1
FT2530	FT4030	FT5030	FT6530		3.7	5.7	6.8	8.4	9.7	11.8	13.7
	FT4040	FT5040	FT6540	FT8040	5.0	7.6	9.1	11.2	12.9	15.8	18.2
	FT4050	FT5050	FT6550		6.2	9.5	11.4	14.0	16.1	19.7	23
FT2560	FT4060	FT5060	FT6560	FT8060	7.5	11.4	13.7	16.7	19.3	24	27
FT2570	FT4070	FT5070	FT6570	FT8070	8.7	13.3	16	19.5	23	28	32
FT25100	FT40100	FT50100	FT65100	FT80100	12.5	19.1	23	28	32	39	46

Full Cone Spray Ball Tip

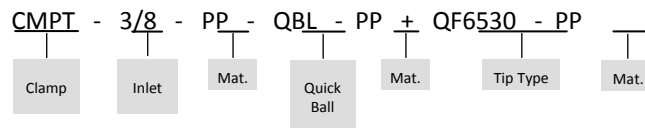
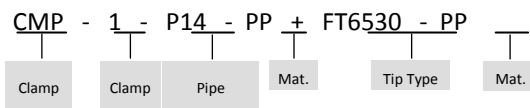


	Spray Capacity (L/min)							Spray Angle		
	0.3 Bar	0.7 Bar	1 Bar	1.5 Bar	2 Bar	3 Bar	4 Bar	0.5 Bar	1.5 Bar	4 Bar
FC6	1.6	2.3	2.6	3.2	3.7	4.5	5.1	69°	74°	68°
FC12.5	3.4	4.8	5.4	6.8	7.7	9.3	10.6	69°	74°	68°
FC25	6.7	9.5	10.9	13.5	15.4	18.6	21	64°	67°	63°
FC50	13.5	19.1	21.9	27	31	37	42	91°	94°	88°

How to order

Please order for a specific nozzle on this coding system

<Example>



Flat Spray Ball Tip



Spray Tip Code (spray angle at 3 bar)					Spray Capacity (L/min)					
50°	65°	80°	95°	110°	0.3 Bar	1 Bar	2 Bar	3 Bar	4 Bar	5 Bar
QF5001	QF6501	QF8001	QF9501	QF11001	0.12	0.23	0.32	0.39	0.46	0.51
QF5002	QF6502	QF8002	QF9502	QF11002	0.25	0.45	0.64	0.79	0.91	1
QF5003	QF6503	QF8003	QF9503	QF11003	0.37	0.69	0.97	1.2	1.4	1.5
QF5004	QF6504	QF8004	QF9504	QF11004	0.5	0.92	1.3	1.6	1.8	2
QF5005	QF6505	QF8005	QF9505	QF11005	0.62	1.1	1.6	2	2.3	2.5
QF5006	QF6506	QF8006	QF9506	QF11006	0.75	1.3	1.9	2.4	2.7	3.1
QF5008	QF6508	QF8008	QF9508	QF11008	1	1.8	2.6	3.2	3.6	4.1
QF5010	QF6510	QF8010	QF9510	QF11010	1.2	2.3	3.2	3.9	4.6	5.1
QF5015	QF6515	QF8015	QF9515	QF11015	1.9	3.4	4.8	5.9	6.8	7.6
QF5020	QF6520	QF8020	QF9520	QF11020	2.5	4.6	6.5	7.9	9.1	10.2
QF5030	QF6530	QF8030	QF9530	QF11030	3.7	6.8	9.7	11.8	13.7	15.3

Full Cone Spray Ball Tip

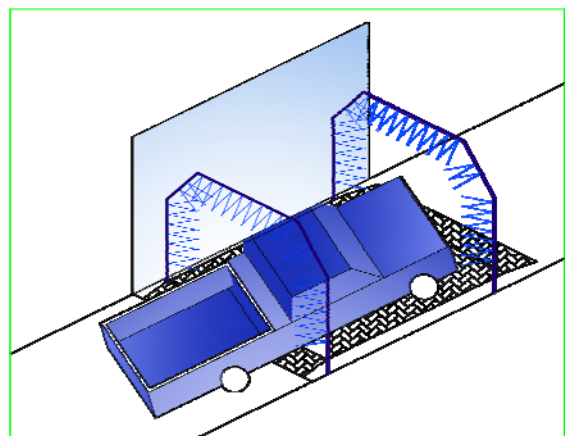


	Spray Capacity (L/min)								Spray Angle		
	0.5 Bar	0.7 Bar	1.5 Bar	2 Bar	3 Bar	4 Bar	5 Bar	6 Bar	0.5 Bar	1.5 Bar	6 Bar
QC1	0.25	0.38	0.54	0.62	0.74	0.85	0.94	1	-	58°	53°
QC2	0.65	0.76	1	1.2	1.5	1.7	1.9	2	43°	50°	46°
QC3	0.98	1.1	1.6	1.9	2.2	2.5	2.8	3.1	52°	65°	59°
QC3.5	1.1	1.3	1.9	2.2	2.6	3	3.3	3.6	43°	50°	46°
QC5	1.6	1.9	2.7	3.1	3.7	4.2	2.7	5.1	52°	65°	59°
QC6.5	2.1	2.5	3.5	4	4.8	5.5	6.1	6.7	45°	50°	46°
QC10	3.3	3.8	5.4	6.2	7.4	8.5	9.4	10.2	58°	67°	61°



Type	Connection Thread Size (inch)
CMPT	1/8
	1/4
	3/8
	1/2

Example Application:
CMP Nozzle used for cleaning Auto Assembly Part



BLQ



BL



Ball Type	Connection Object
BLQ	Quick Adaptor Object
BL1	Thread Size 1/8"
BL2	Thread Size 1/4"
BL3	Thread Size 3/8"